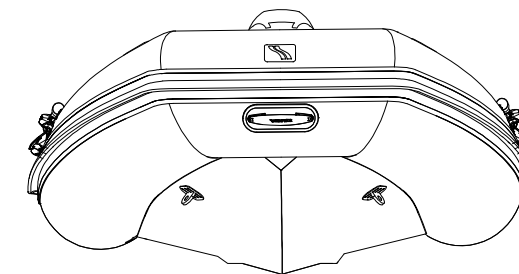
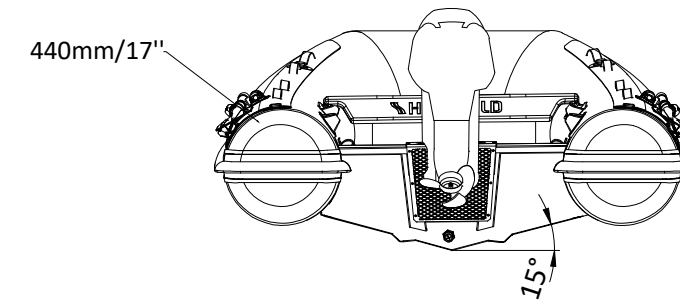
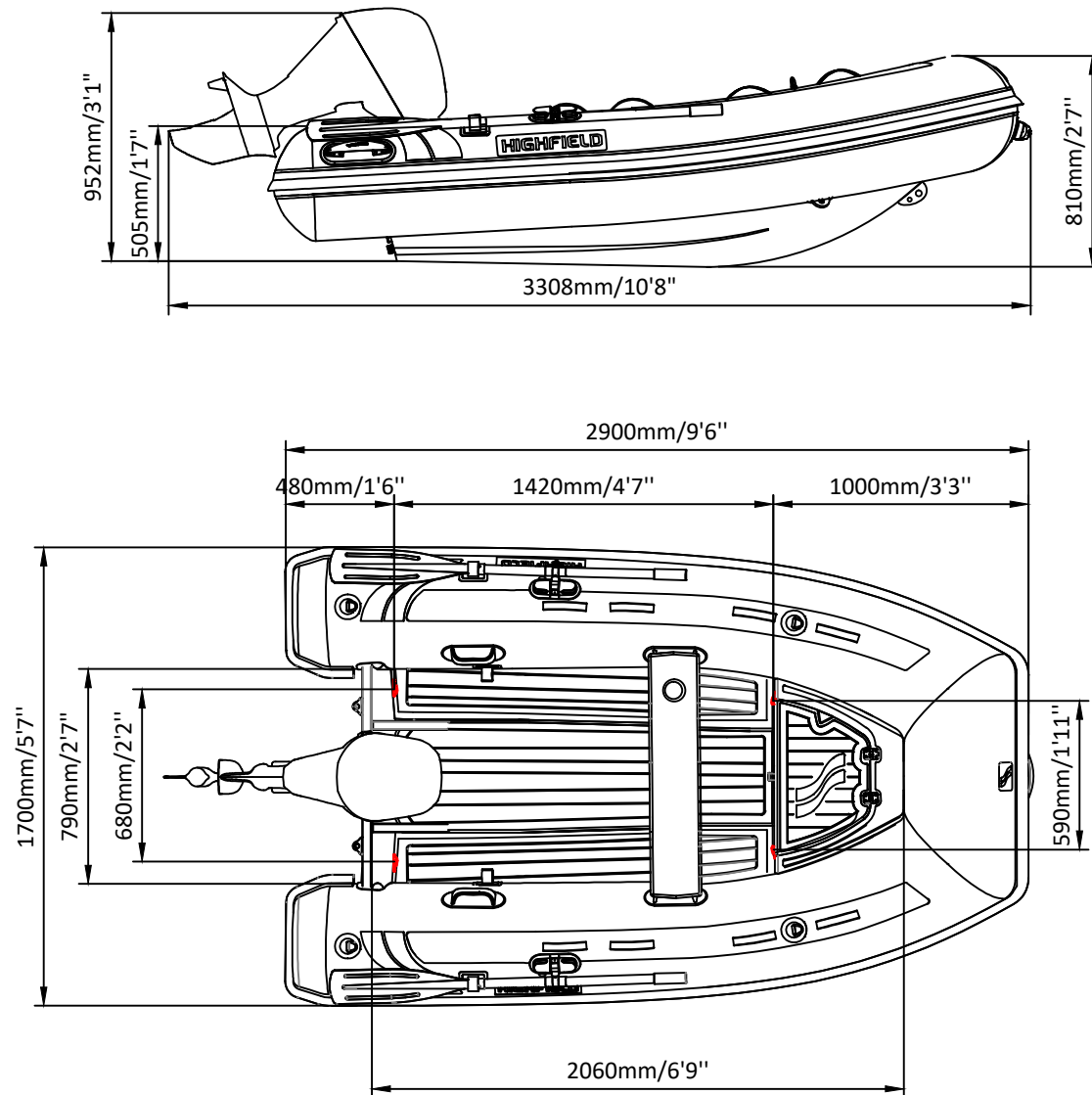


CLASSIC 290

SPECIFICATIONS



SPECIFICATIONS AND MAXIMUM CAPACITIES (Subject to change without notice. Tolerances: Dimensions ±2.5% Weight ±5%)

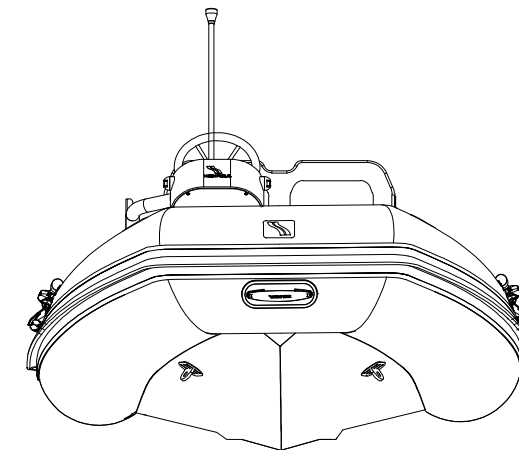
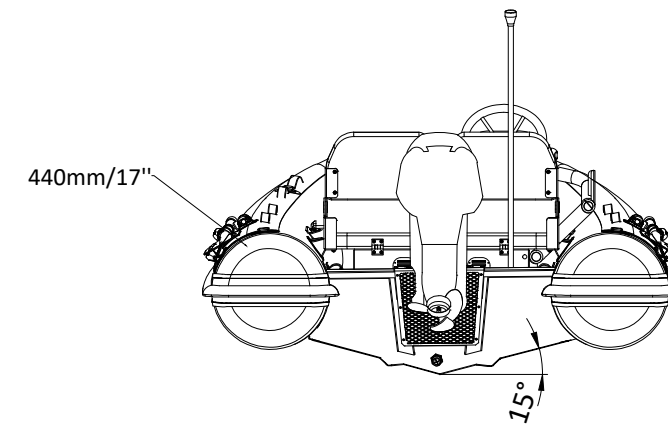
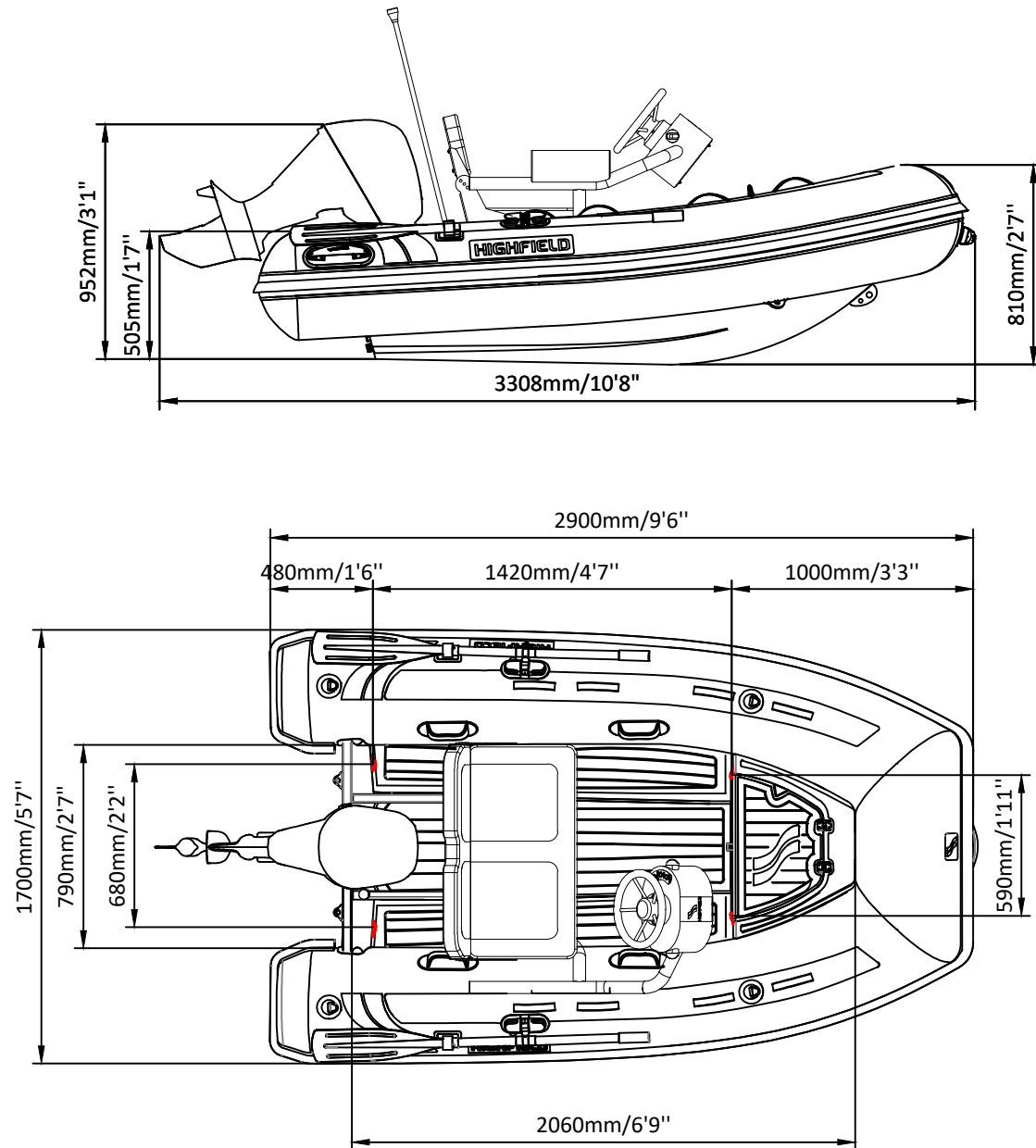
MODEL	ISO 6185 PART	ISO 6185	Crew		#	Weight		Shaft	Outboard Engine		Molded seat		Oars		/		Fuel tank Capacity		Wet Weight (Approximate) 20HP (14.92KW)		AIR CHAMBERS	Pressure					
			KG	LB		KG	LB		KG	LB	KG	LB	KG	LB	KG	LB	L	GAL	KG	LB		PSI	BAR				
			KG	LB		KW	HP		KG	LB	KG	LB	KG	LB	KG	LB	/	/	L	GAL		KG	LB	PSI	BAR		
CL290	2	C	480	1058	4	300	661	S	14.92	20	104.5	230	59	130	3	6.6	1.5	3.3	/	/	/	/	168	370	3	3.63	0.25

Weight: boat only.

2021V5

CLASSIC 290

SPECIFICATIONS



SPECIFICATIONS AND MAXIMUM CAPACITIES (Subject to change without notice. Tolerances: Dimensions ±2.5% Weight ±5%)

MODEL	ISO 6185 PART	ISO 6185	Crew		#	Weight		Shaft	Outboard Engine		FCT		Molded seat		Oars		Fuel tank Capacity		Wet Weight (Approximate) 20HP (14.92KW)		AIR CHAMBERS	Pressure					
			KG	LB		KG	LB		KG	LB	KG	LB	KG	LB	KG	LB	KG	LB	KG	LB		PSI	BAR				
CL290	2	C	480	1058	4	300	661	S	14.92	20	104.5	230	59	130	36	79	3	6.6	1.5	3.3	/	/	204	450	3	3.63	0.25

Weight: boat only.

2021V5