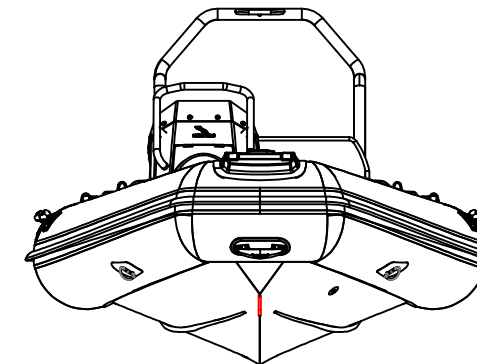
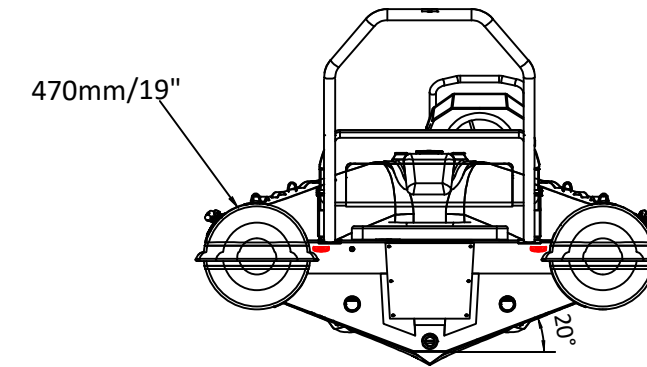
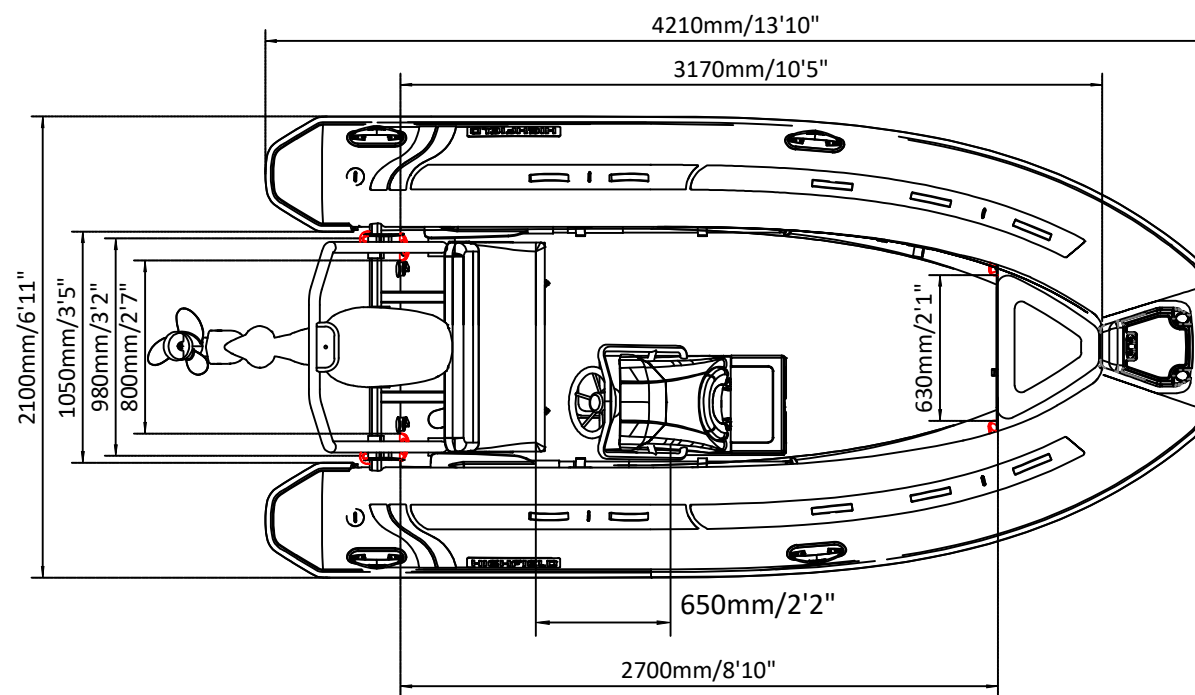
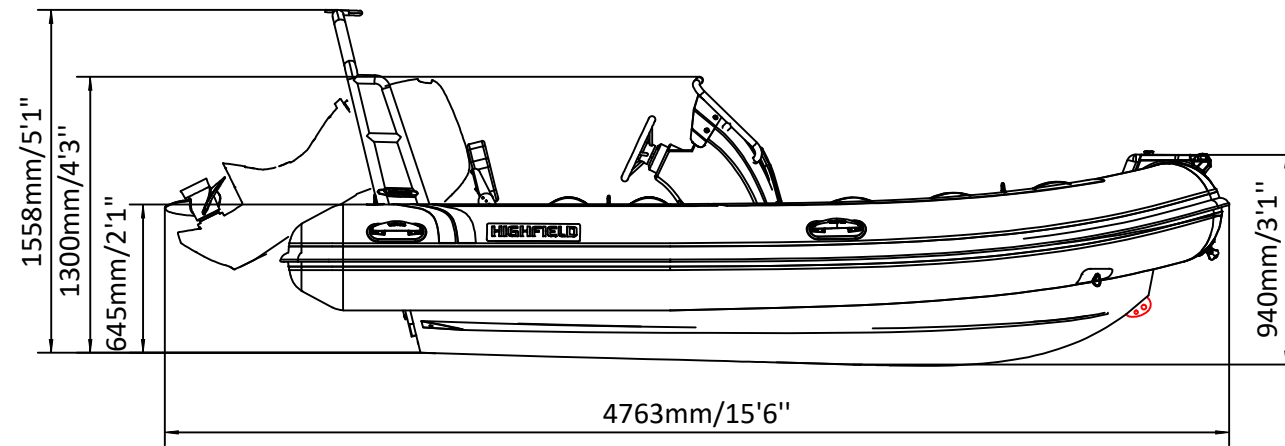


Classic 420

SPECIFICATIONS



SPECIFICATIONS AND MAXIMUM CAPACITIES (Subject to change without notice. Tolerances: dimensions ±2.5%, weights ±5%)

MODEL	ISO 6185 PART	ISO 6185	Occupants		#	Weight		Shaft	Outboard Engine		Console		Seat		Rollbar		Fuel tank Capacity		Wet Weight (Approximate) 60HP (44.76KW) +Fuel		AIR CHAMBERS	Pressure					
			KG	LB		KG	LB		KG	LB	KG	LB	KG	LB	KG	LB	KG	LB	KG	LB		PSI	BAR				
CL420	3	C	823	1814	8	600	1323	L	44.76	60	161.7	356	204	450	26	57	21	46	11	25	40	10.6	395.7	872	4	3.63	0.25

Weight: boat only.