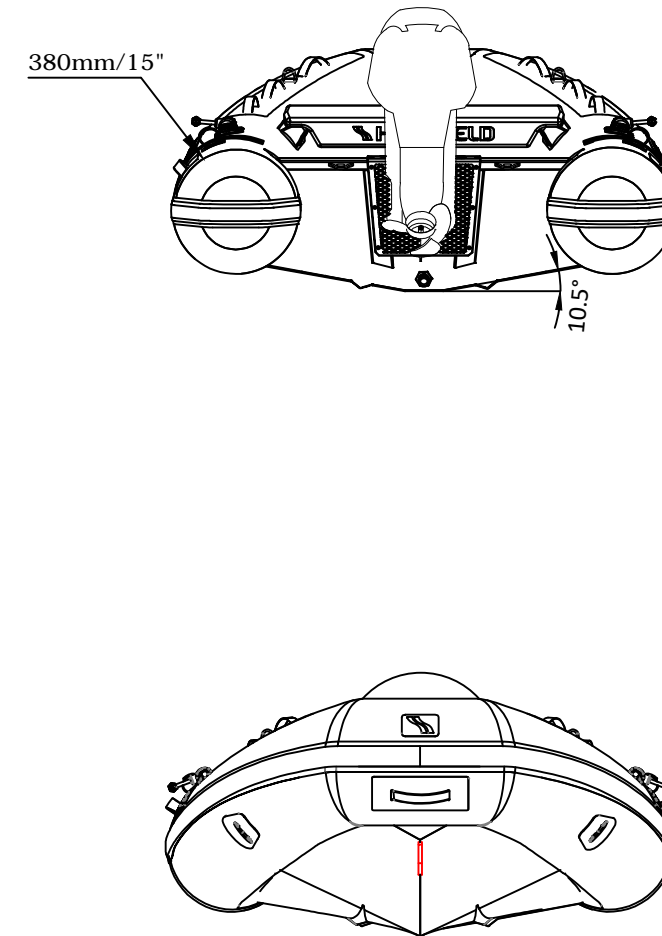
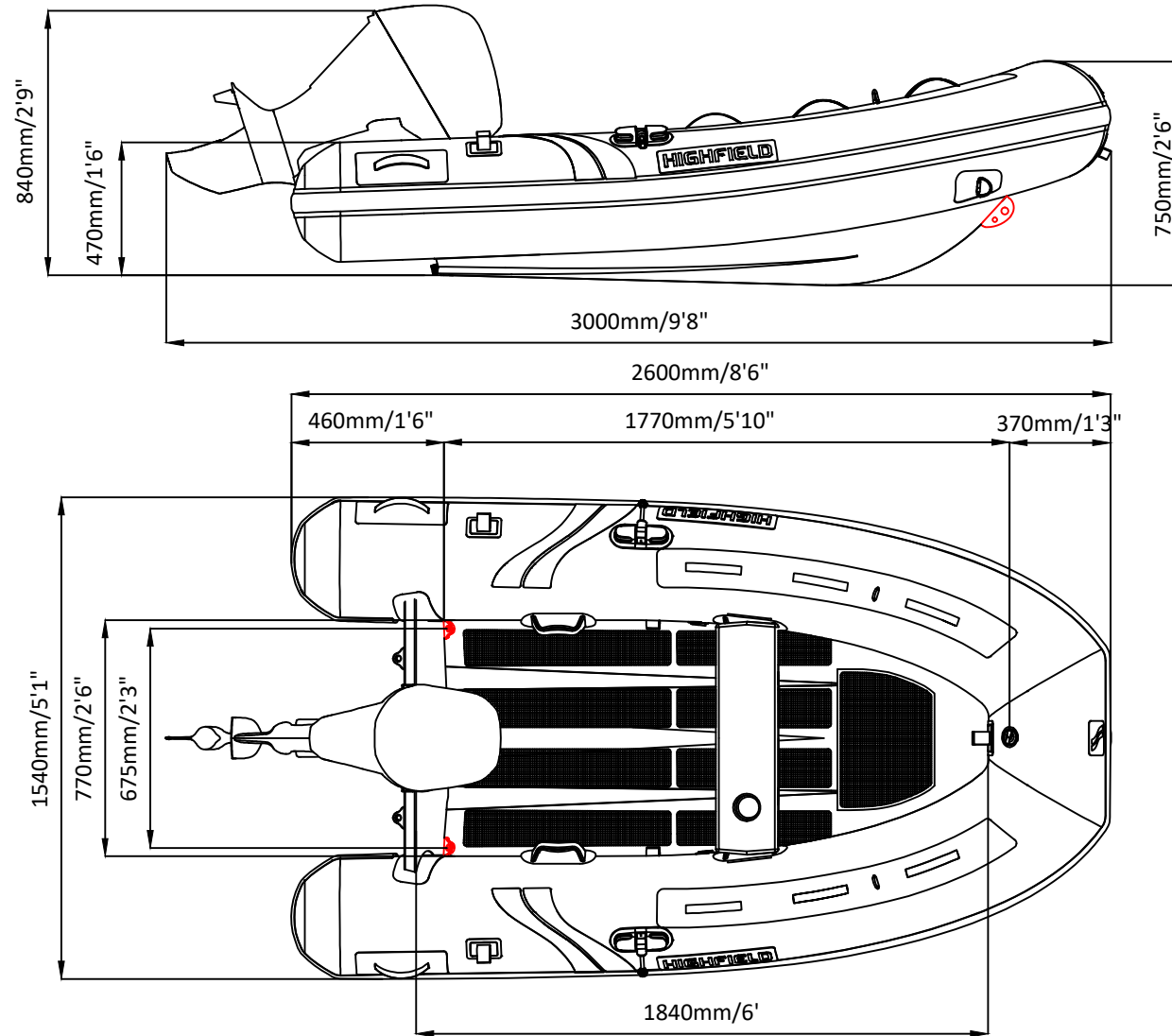


ULTRALITE 260

SPECIFICATIONS



SPECIFICATIONS AND MAXIMUM CAPACITIES (Subject to change without notice.Tolerances:Dimensions ±2.5% Weight ±5%)

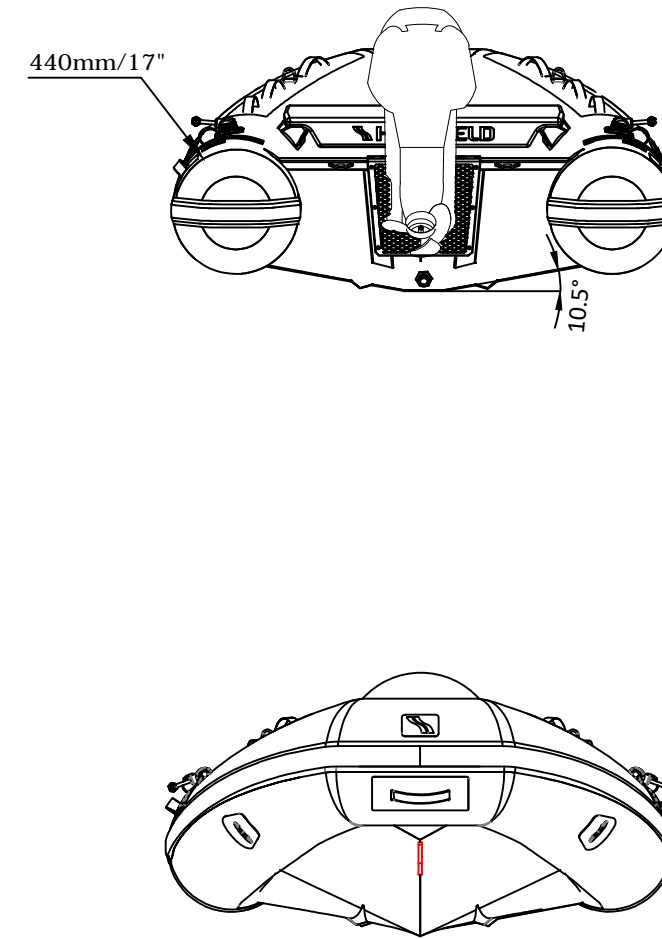
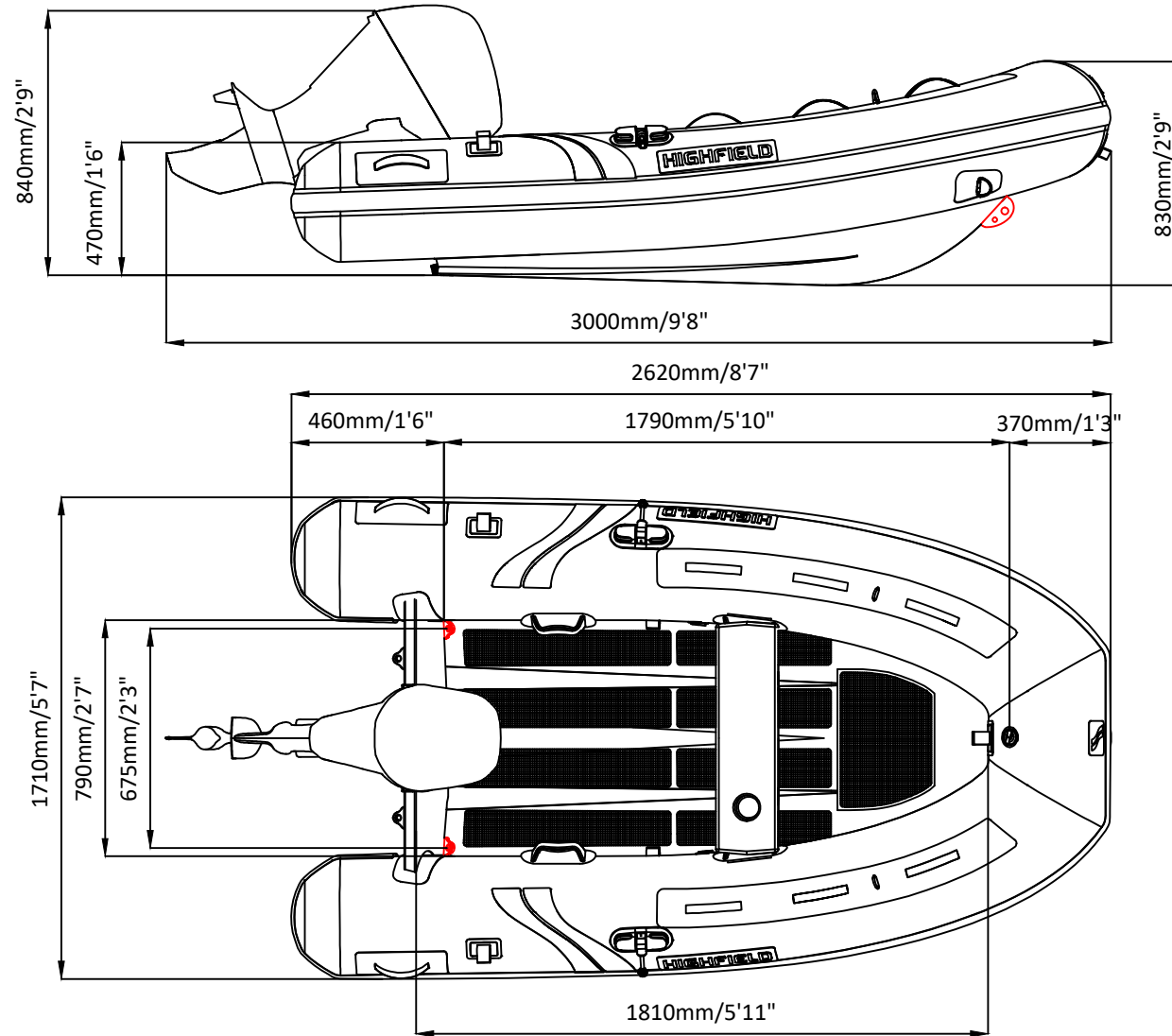
MODEL	ISO 6185 PART	ISO 6185																									
			KG	LB	#	KG	LB	Shaft	Max power		Max weight		KG	LB	KG	LB	KG	LB	L	GAL	KG	LB	AIR CHAMBERS	PSI	BAR		
									KW	HP	KG	LB															
UL260	2	C	340	750	3+1	263	579	S	4.48	6	40.9	90	35	77	2.5	5.5	1.5	3.3	/	/	/	/	94.9	209	3	3.63	0.25

Weight: boat only.

2021V4

ULTRALITE 260LT

SPECIFICATIONS



SPECIFICATIONS AND MAXIMUM CAPACITIES (Subject to change without notice.Tolerances:Dimensions ±2.5% Weight ±5%)

MODEL	ISO 6185 PART	ISO 6185																									
			KG	LB	#	KG	LB	Shaft	Max power	Max weight	KG	LB	KG	LB	KG	LB	L	GAL	KG	LB	AIR CHAMBERS						
										KW	HP	KG	LB	KG	LB	KG	LB					PSI	BAR				
UL260LT	2	C	358	788	3+1	263	579	S	7.46	10	60	132	37	80	2.5	5.5	1.5	3.3	/	/	/	/	116	256	3	3.63	0.25

Weight: boat only.